

=====

S C H E M A T I C D I A G R A M S

J O H A N N U S

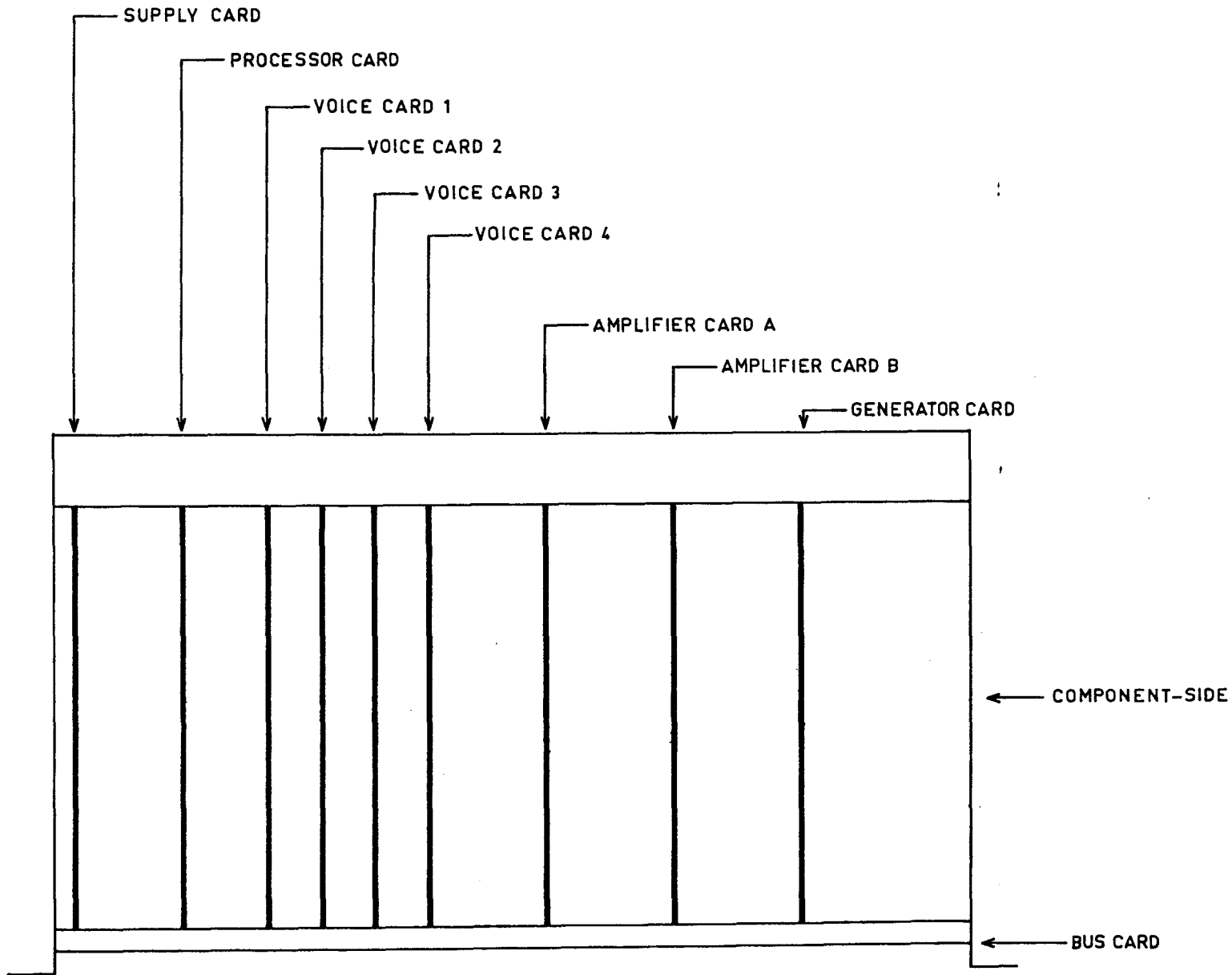
OPUS 1100

=====

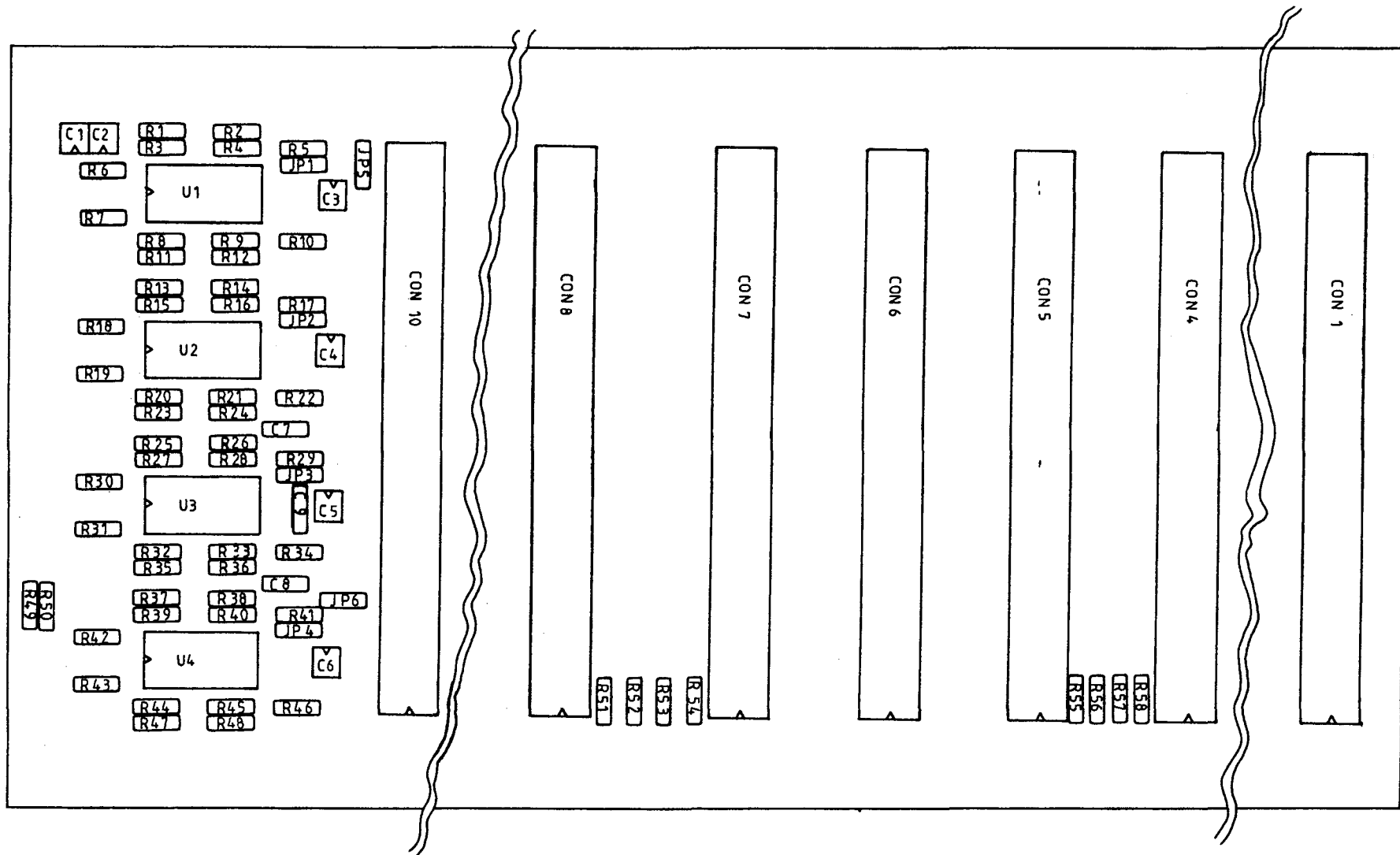
alterations reserved

C O N T E N T S

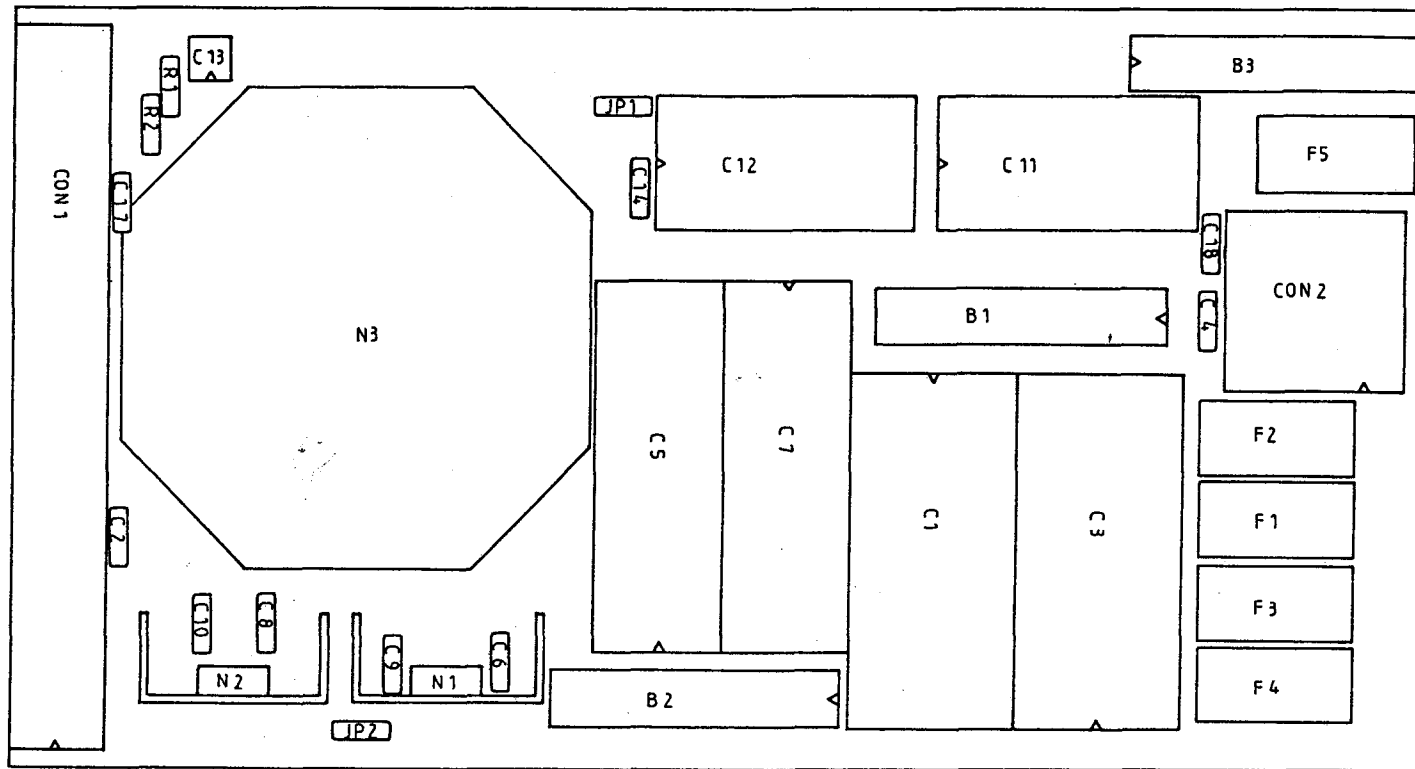
1. POSITION DIAGRAM CARDS
2. COMPONENT NUMBERING BUS CARD
3. LAY OUT BUS CARD
4. COMPONENT NUMBERING SUPPLY CARD
5. LAY OUT SUPPLY CARD
6. COMPONENT NUMBERING GENERATOR CARD
7. LAY OUT GENERATOR CARD
8. COMPONENT NUMBERING PROCESSOR CARD
9. LAY OUT PROCESSOR CARD
10. COMPONENT NUMBERING VOICE CARD (4x)
11. LAY OUT VOICE CARD (4x)
12. VALUES OF INTONATION-DEPENDENT COMPONENTS ON VOICE CARDS
13. COMPONENT NUMBERING AMPLIFIER CARD (2x)
14. LAY OUT AMPLIFIER CARD (2x)
15. TRANSFORMER CONNECTIONS
16. POWER SUPPLY (supply card)
17. PINNING BUS CARD CONNECTORS
18. EXPRESSION-PEDAL CIRCUIT (bus card)
19. EXTERNAL CONTROLS and INTERFACE ECHO UNIT (generator card)
20. TREMULANT-OSCILLATORS; CHORUS-CIRCUIT and TUNING GENERATORS (generator card)
21. SCANNING KEYING; STOPS & ACCESSORIES
22. INPUTS/OUTPUTS PROCESSOR (processor card)
23. PROCESSOR (processor card)
24. VOICES and PRE-AMP'S (voice card)
25. TONE CONTROLS and INPUT/OUTPUT AMPLIFIERS (amplifier card)
26. POWER AMPLIFIER (amplifier card)
27. GENERAL INFORMATION SEMI-CONDUCTORS (I)
28. GENERAL INFORMATION SEMI-CONDUCTORS (II)



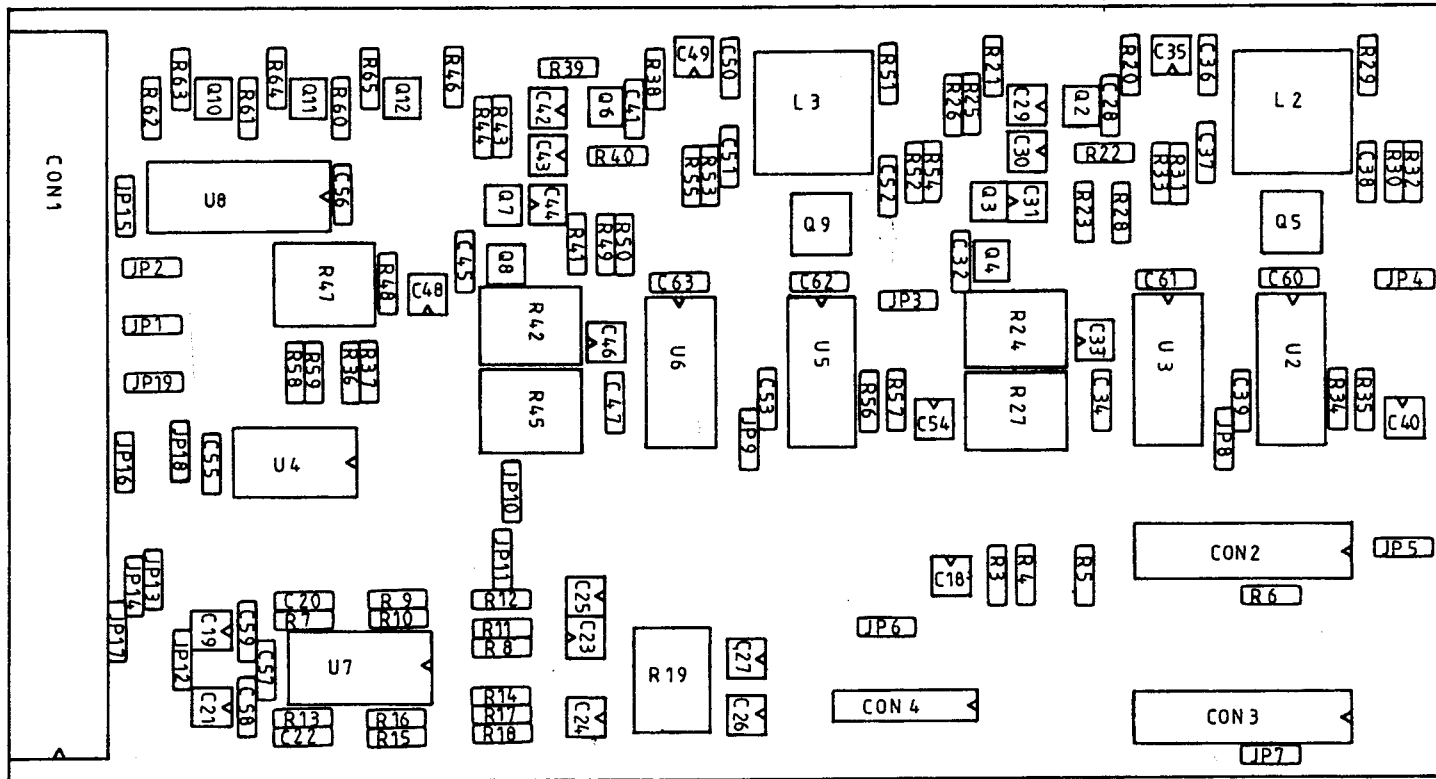
POSITION DIAGRAM CARDS			
DESIGN:	RB/SvD/MH	01-06-89	JOHANNUS OPUS 1100
DRAWN:	VERSCHOOR	22-05-89	
MODIFIED:	VERSCHOOR	19-06-89	
copyright: JOHANNUS Orgelbouw b.v. Morsestraat 28 6716AH EDE HOLLAND Tel. 08380-37403 Tlx. 37044 Jove NL Fax. 08380-22238			page 1



COMPONENT NUMBERING BUS CARD			
DESIGN:	RB/SvD/MH	01 - 06 - 89	JOHANNUS
DRAWN:	VERSCHOOR	02 - 06 - 89	
MODIFIED:		- -	OPUS 1100
copyright: JOHANNUS Orgelbouw b.v.			page
Morsestraat 28 6716AH EDE HOLLAND			2
Tel.08380-37403 Tlx. 37044 Jove NL Fax. 08380-22238			



COMPONENT-NUMBERING SUPPLY CARD			
DESIGN:	RB/SvD/MH	01 - 08 - 89	JOHANNUS OPUS 1100
DRAWN:	VERSCHOOR	21 - 08 - 89	
MODIFIED:	-	-	
copyright:	JOHANNUS Orgelbouw b.v. Morsestraat 28 6716 AH EDE HOLLAND		page
Tel. 08380-37403 Tlx. 37044 Jove NL Fax. 08380-22238			4

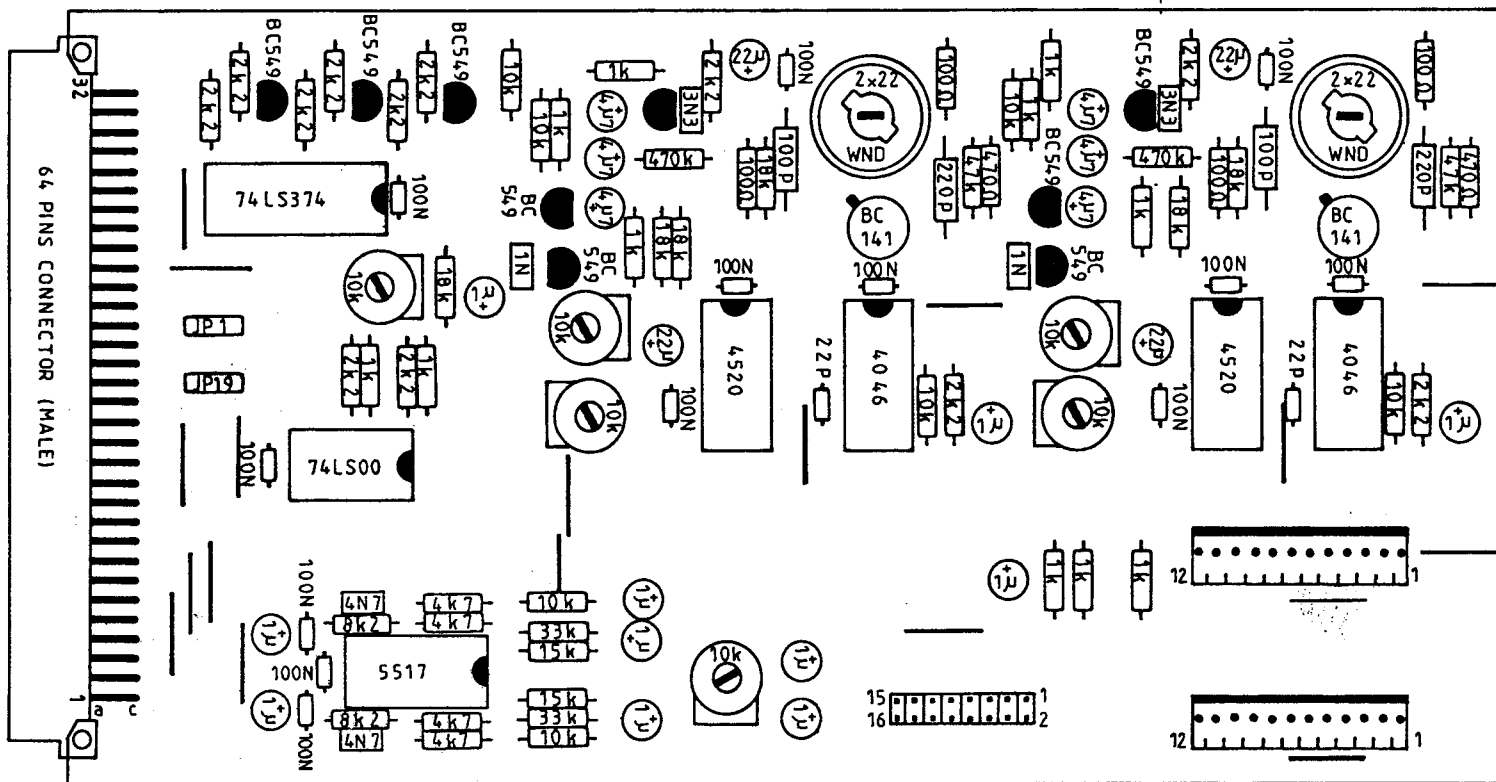


COMPONENT NUMBERING GENERATOR CARD

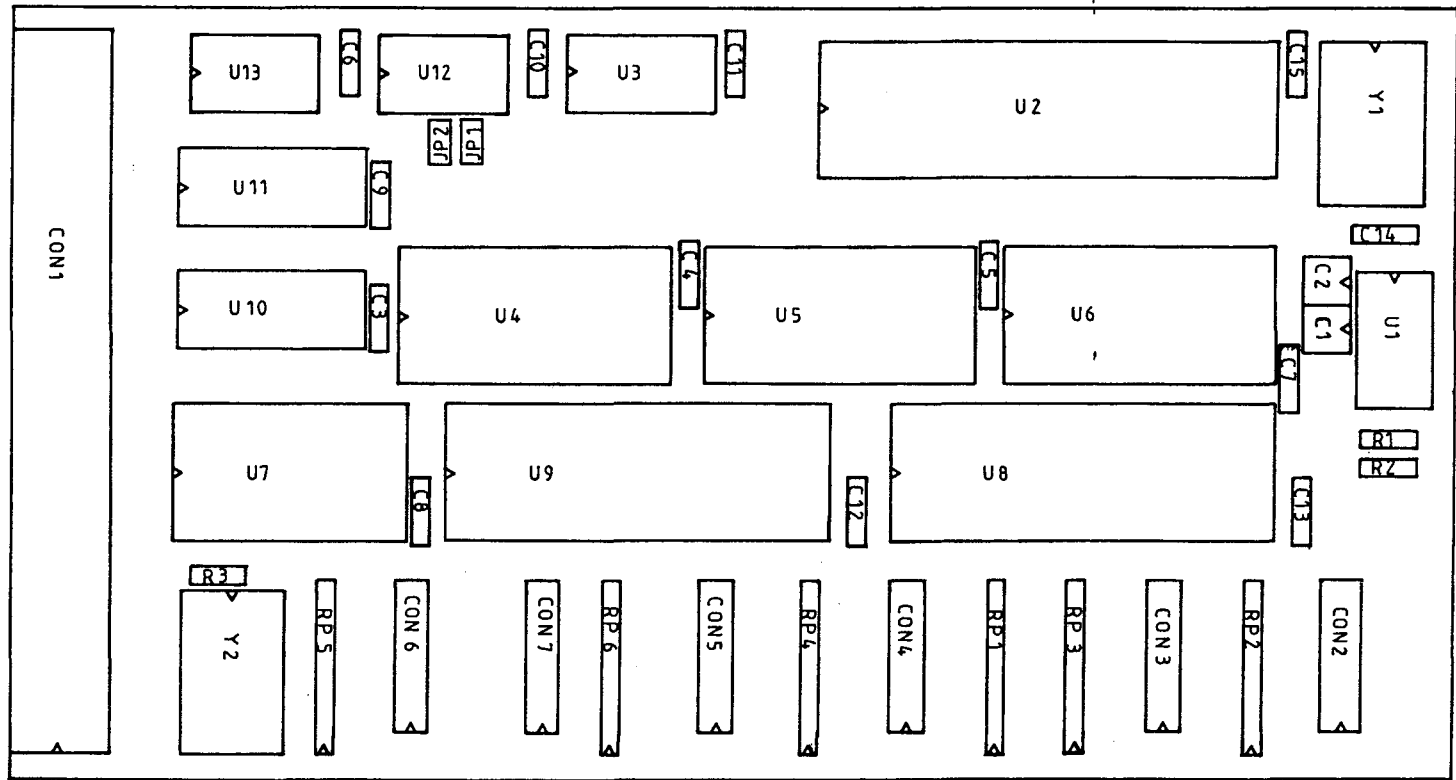
DESIGN: RB/SvD/MH 01-06-89
 DRAWN: VERSCHOOR 22-05-89
 MODIFIED: VERSCHOOR 21-08-89

JOHANNUS
 OPUS 1100

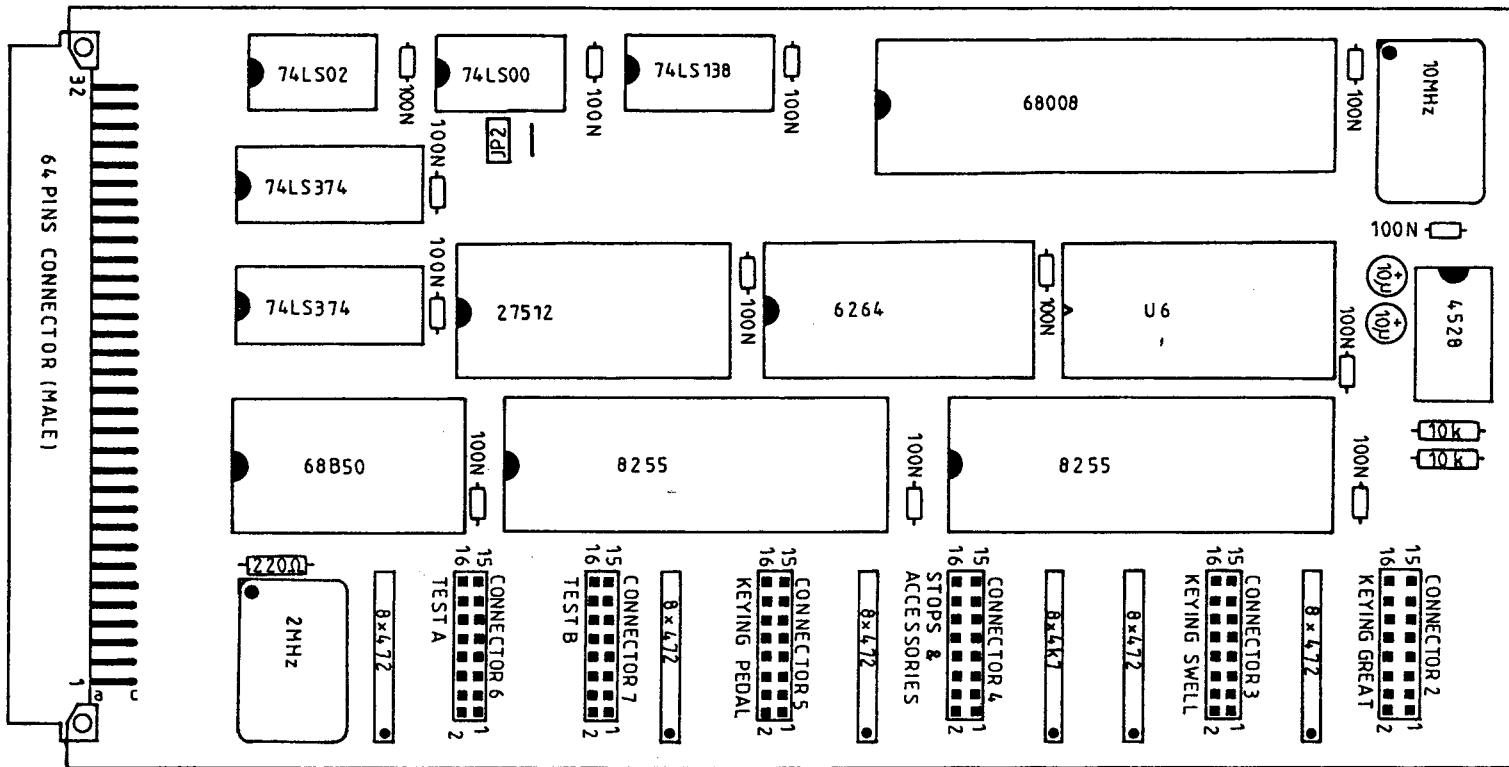
copyright: **JOHANNUS Orgelbouw b.v.**
 Morsestraat 28 6716AH EDE HOLLAND
 Tel. 08380-37403 Tlx. 37044 Jove NL Fax. 08380-22238



LAY OUT GENERATOR CARD			JOHANNUS OPUS 1100
DESIGN:	RB/SVD/MH	01-06-89	
DRAWN:	VERSCHOOR	25-04-89	
MODIFIED:	VERSCHOOR	19-08-89	
copyright:	JOHANNUS Orgelbouw b.v. Morsestraat 28 6716AH EDE HOLLAND		page 7
Tel. 08380-37403 Tlx. 37044 Jove NL Fax. 08380-22238			



COMPONENT NUMBERING PROCESSOR-CARD		
DESIGN:	RB/SvD/MH	01-06-89
DRAWN:	VERSCHOOR	21-04-89
MODIFIED:	-	-
copyright: JOHANNUS Orgelbouw b.v. Morsestraat 28 6716AH EDE HOLLAND		page 8
Tel. 08380-37403 Tlx. 37044 Jove NL Fax. 08380-22238		JOHANNUS OPUS 1100

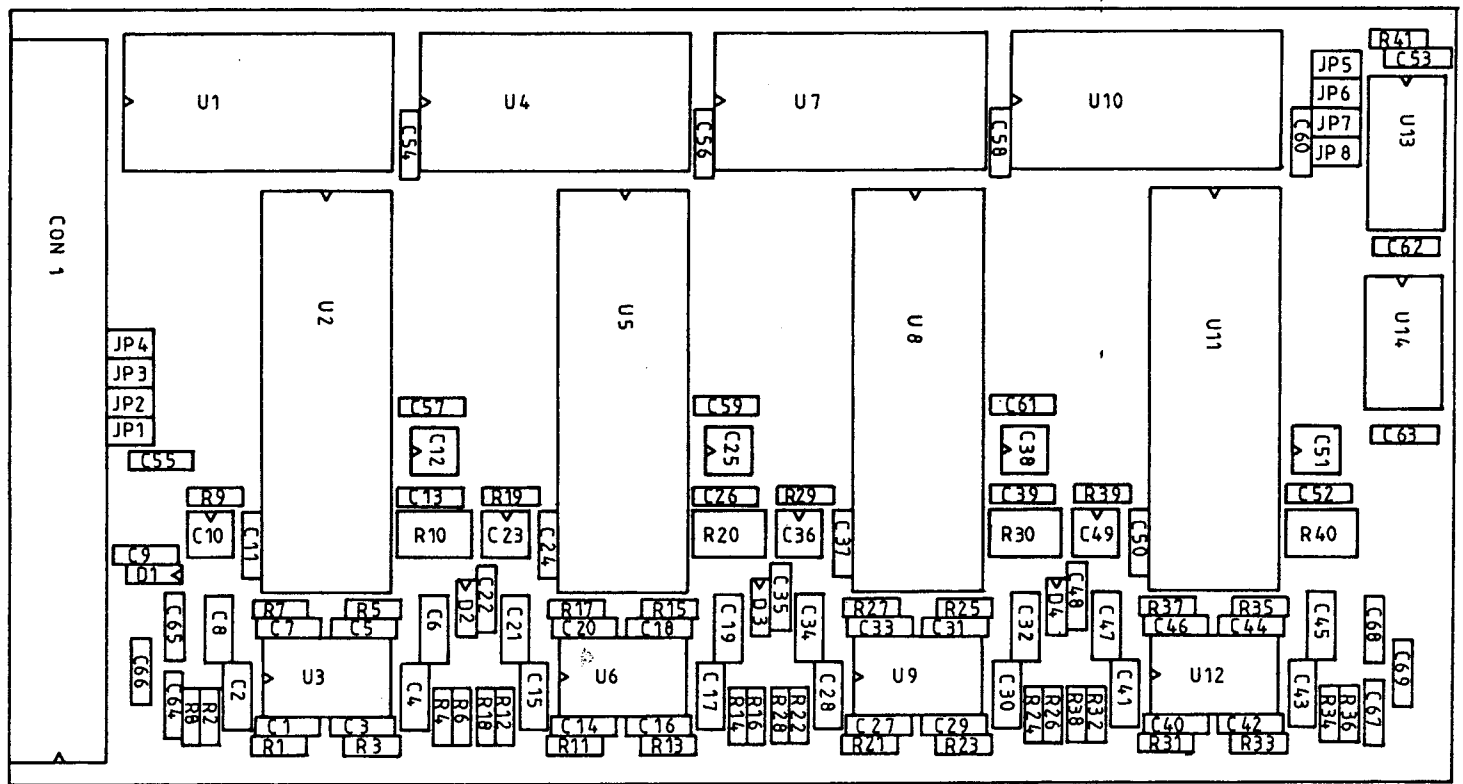


LAY OUT PROCESSOR CARD

DESIGN:	RB/SvD/MH	01-06-89
DRAWN:	VERSCHOOR	21-04-89
MODIFIED:	VERSCHOOR	03-04-90

JOHANNUS
OPUS 1100

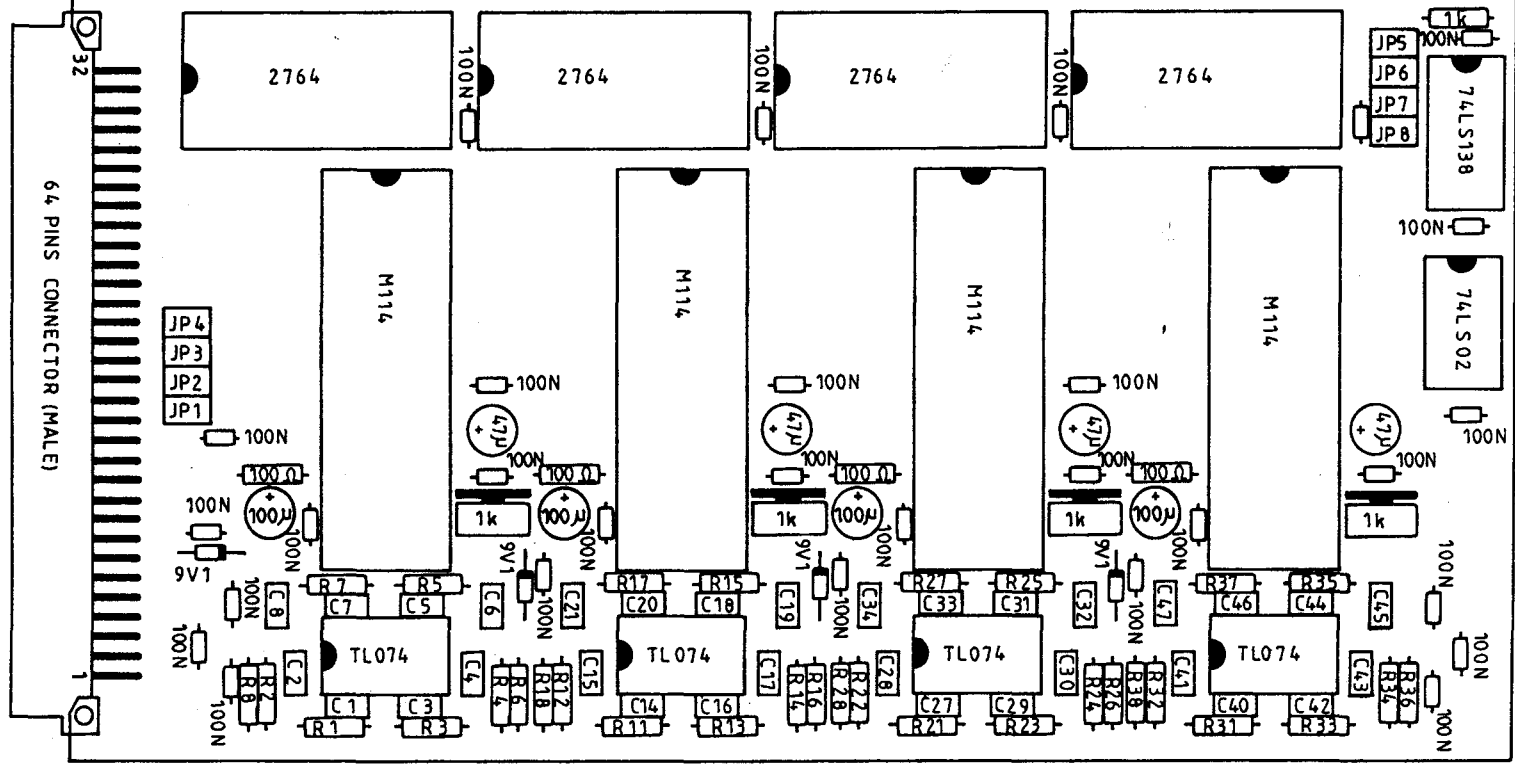
copyright: **JOHANNUS Orgelbouw b.v.**
Morsestraat 28 6716AH EDE HOLLAND
Tel. 08380-37403 Tlx. 37044 Jove NL Fax. 08380-22238



COMPONENT NUMBERING VOICE CARD (4x)

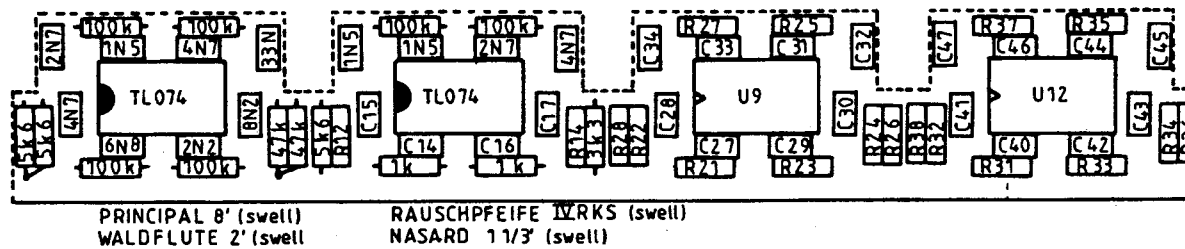
DESIGN:	RB/SvD/MH	01-06-89	JOHANNUS OPUS 1100
DRAWN:	VERSCHOOR	21-04-89	
MODIFIED:		- -	

CARD 1	PRINCIPAL 8'	RAUSCHPFEIFE IV RKS			VOICES SWELL
	WALDFLUTE 2'	NASARD 1 1/3'			VOICES SWELL
CARD 2	GAMBA 8'	STOPPED FLUTE 8'	CROMORNE 8'	ROHRFLUTE 4'	VOICES SWELL
	CELESTE 8'	SESQUIALTERA II RKS	VOX HUMANA 8'	FLUTE TWELFTH 2 2/3'	VOICES SWELL
CARD 3	TWELFH 2 2/3'	OCTAVE 2'	CORNET IV RKS	OCTAVE 4'	VOICES GREAT
	PRINCIPAL 8' (PEDAL)	DOUBLE BASS 16' (PEDAL)	BOURDON 16'	SUBBAS 16' (PEDAL)	VOICES GREAT
CARD 4	TRUMPET 8'	PRINCIPAL 8'	ROHRFLUTE 8'	FLUTE 4'	VOICES GREAT
	CONTRA TRUMPET 16' (PEDAL)	GEDACKT 8' (PEDAL)	MIXTURE IV-VI RKS	OCTAVE 4' (PEDAL)	VOICES GREAT



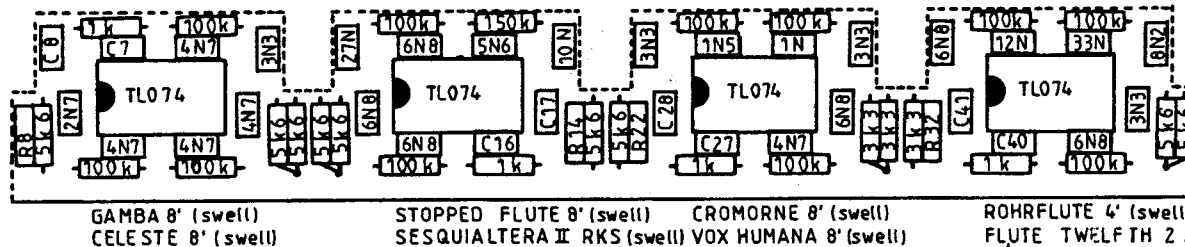
LAY OUT VOICE CARD (4x)

DESIGN:	RB/SvD/MH	01-06-89	JOHANNUS
DRAWN:	VERSCHOOR	25-04-89	
MODIFIED:	VERSCHOOR	03-04-90	OPUS 1100
copyright:	JOHANNUS Orgelbouw b.v. Morsestraat 28 6716AH EDE HOLLAND Tel.08380-37403 Tlx. 37044 Jove NL Fax. 08380-22238		page 11



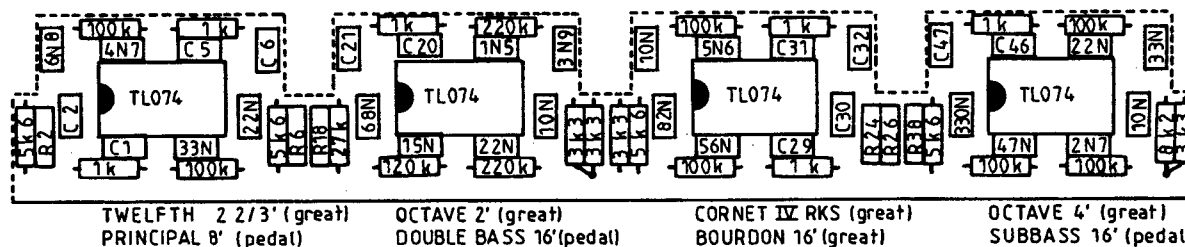
VOICE CARD 1

PLACED JUMPERS: JP4 AND JPS



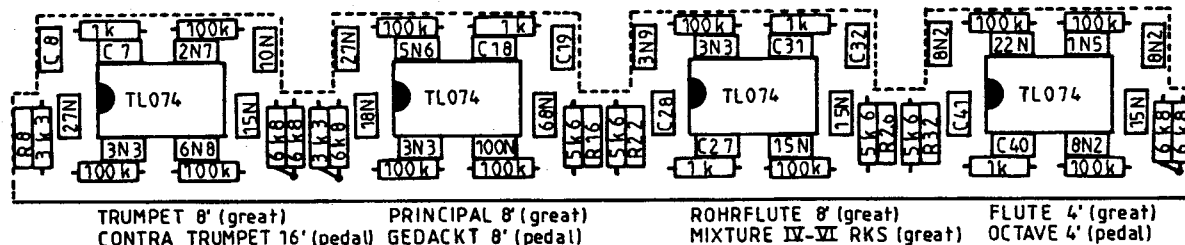
VOICE CARD 2

PLACED JUMPERS: JP 4 AND JP6



VOICE CARD 3

PLACED JUMPERS: JP1 AND JP7



VOICE CARD 4

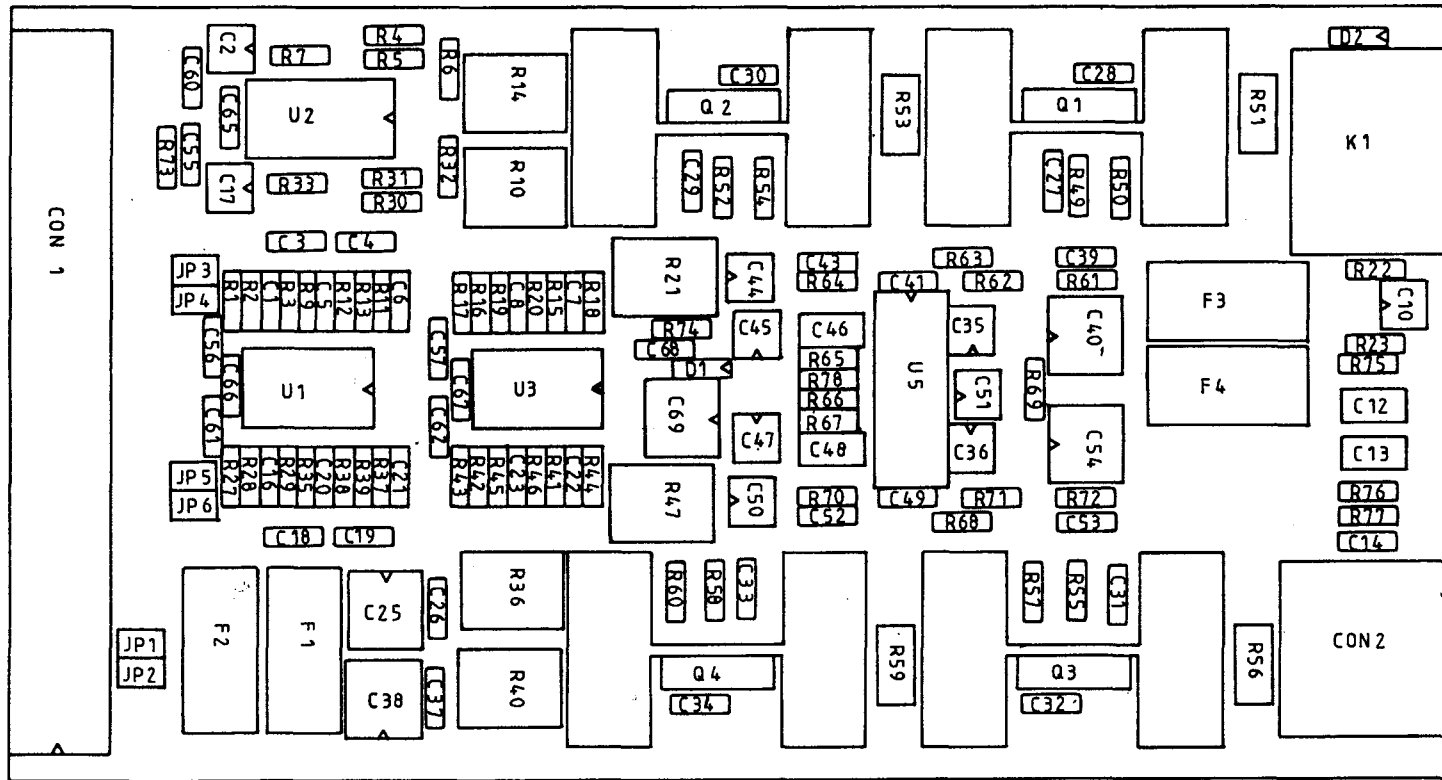
PLACED JUMPERS JP1 AND JP8

INTONATION-DEPENDENT COMPONENTS ON VOICE-CARDS

DESIGN:	OK/GK	01-03-90
DRAWN:	VERSCHOOR	05-03-90
MODIFIED:	VERSCHOOR	14-06-90

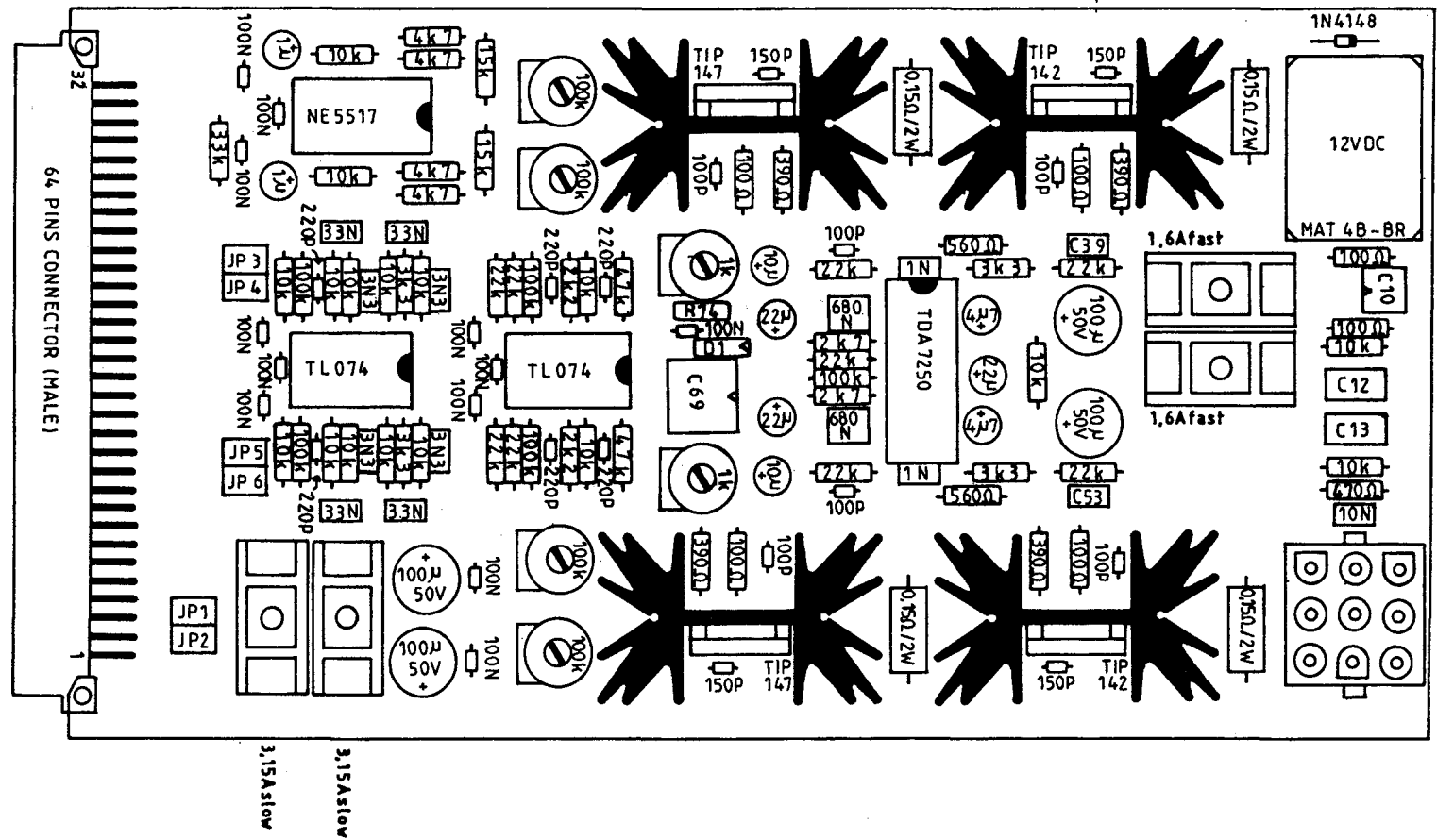
JOHANNUS
OPUS 1100

copyright: **JOHANNUS Orgelbouw b.v.**
Morsestraat 28 6716AH EDE HOLLAND
Tel.08380-37403 Tlx. 37044 Jove NL Fax. 08380-22238



COMPONENT NUMBERING AMPLIFIER CARD (2x)

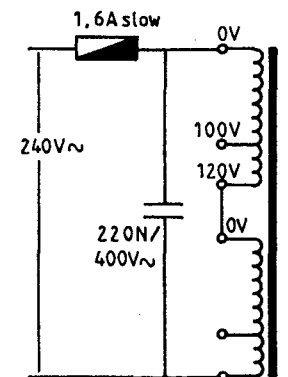
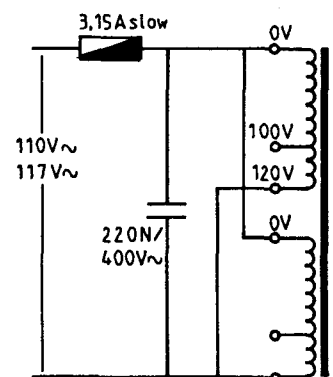
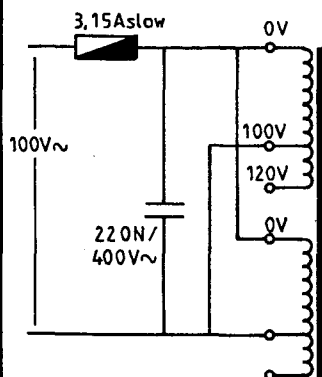
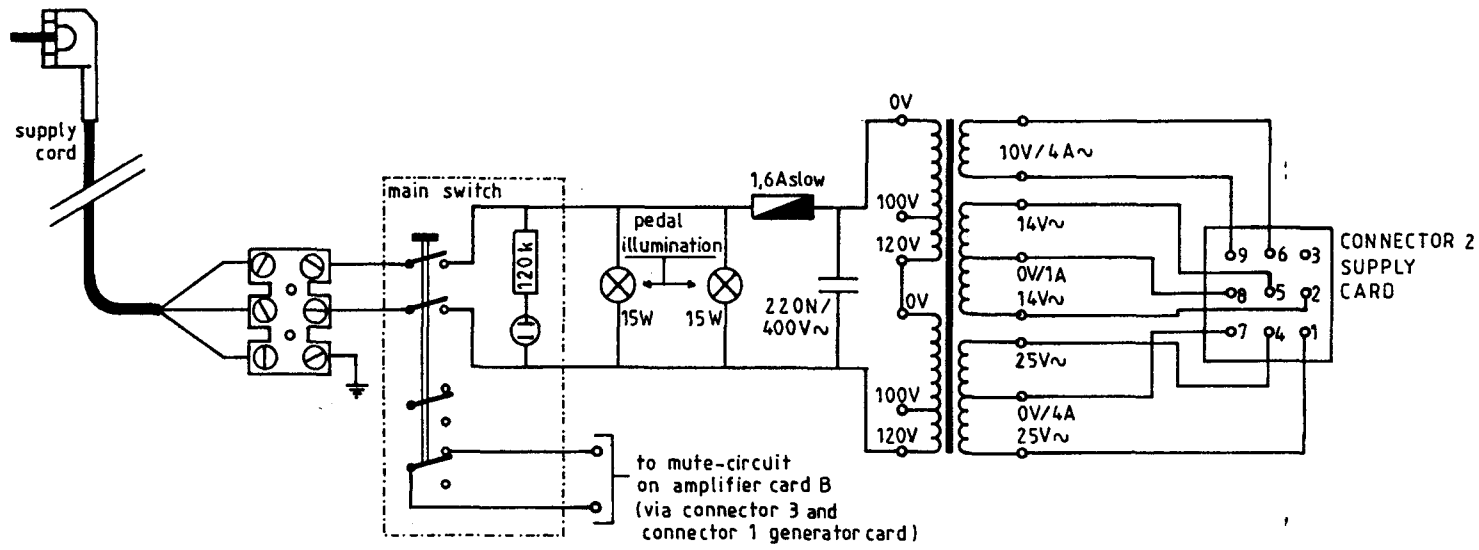
DESIGN:	RB/SVD/MH	01-06-89	JOHANNUS OPUS 1100
DRAWN:	VERSCHOOR	25-04-89	
MODIFIED:		- -	



	CARD A	CARD B
R74	not placed	100k
D1	not placed	9V1
C12	150N	180N
C13	220N	150N
C69	not placed	100μF/50V
JP1	not placed	placed
JP2	placed	not placed
JP3	placed	not placed
JP4	not placed	placed
JP5	not placed	placed
JP6	placed	not placed

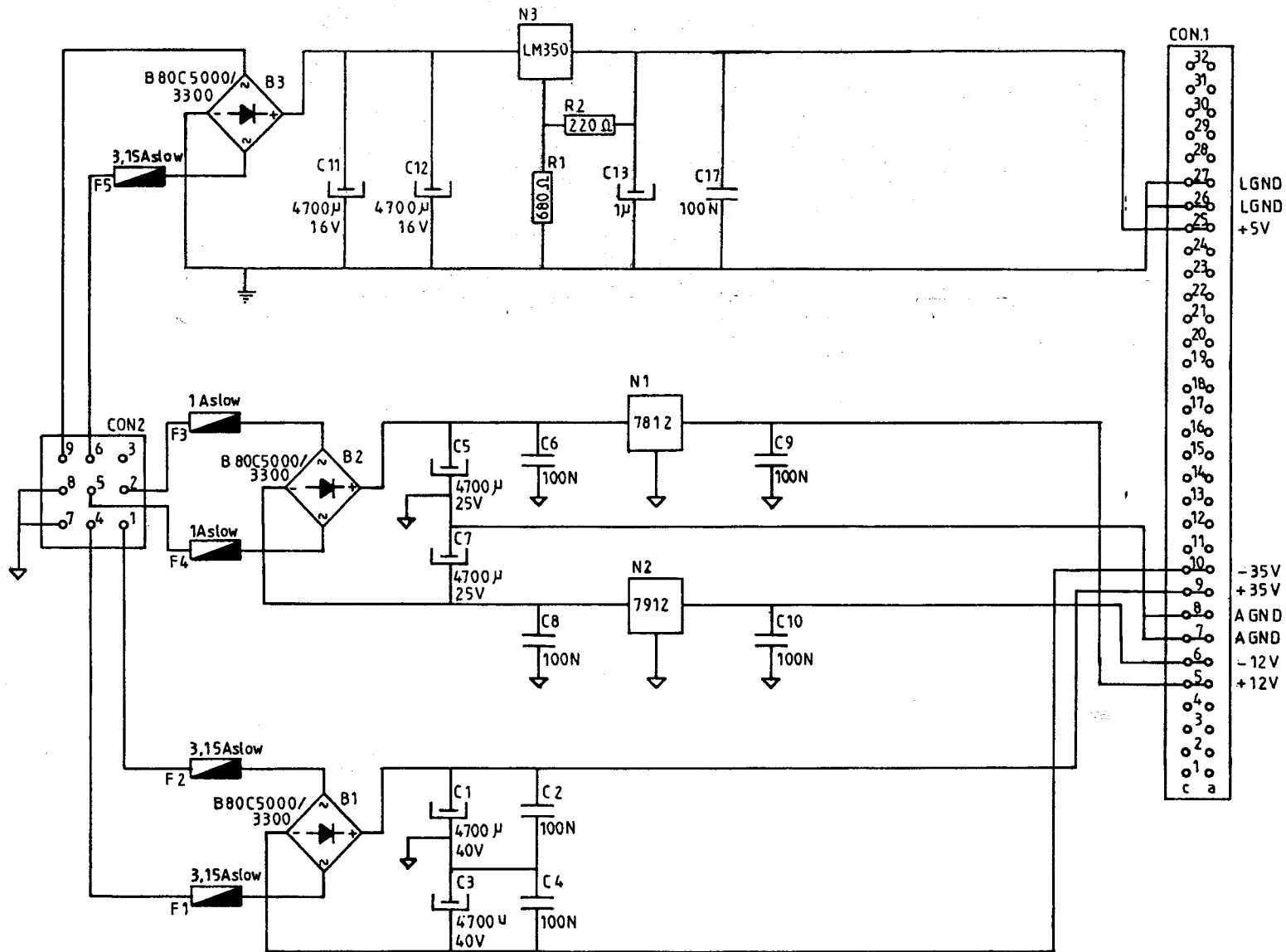
LAY OUT AMPLIFIER CARD (2x)

DESIGN:	RB/SvD/MH	01 - 06 - 89	JOHANNUS OPUS 1100
DRAWN:	VERSCHOOR	19 - 05 - 89	
MODIFIED:	VERSCHOOR	14 - 07 - 89	
copyright:	JOHANNUS Orgelbouw b.v. Morsestraat 28 6716AH EDE HOLLAND		page
Tel. 08380-37403 Tlx. 37044 Jove NL Fax. 08380-22238			14



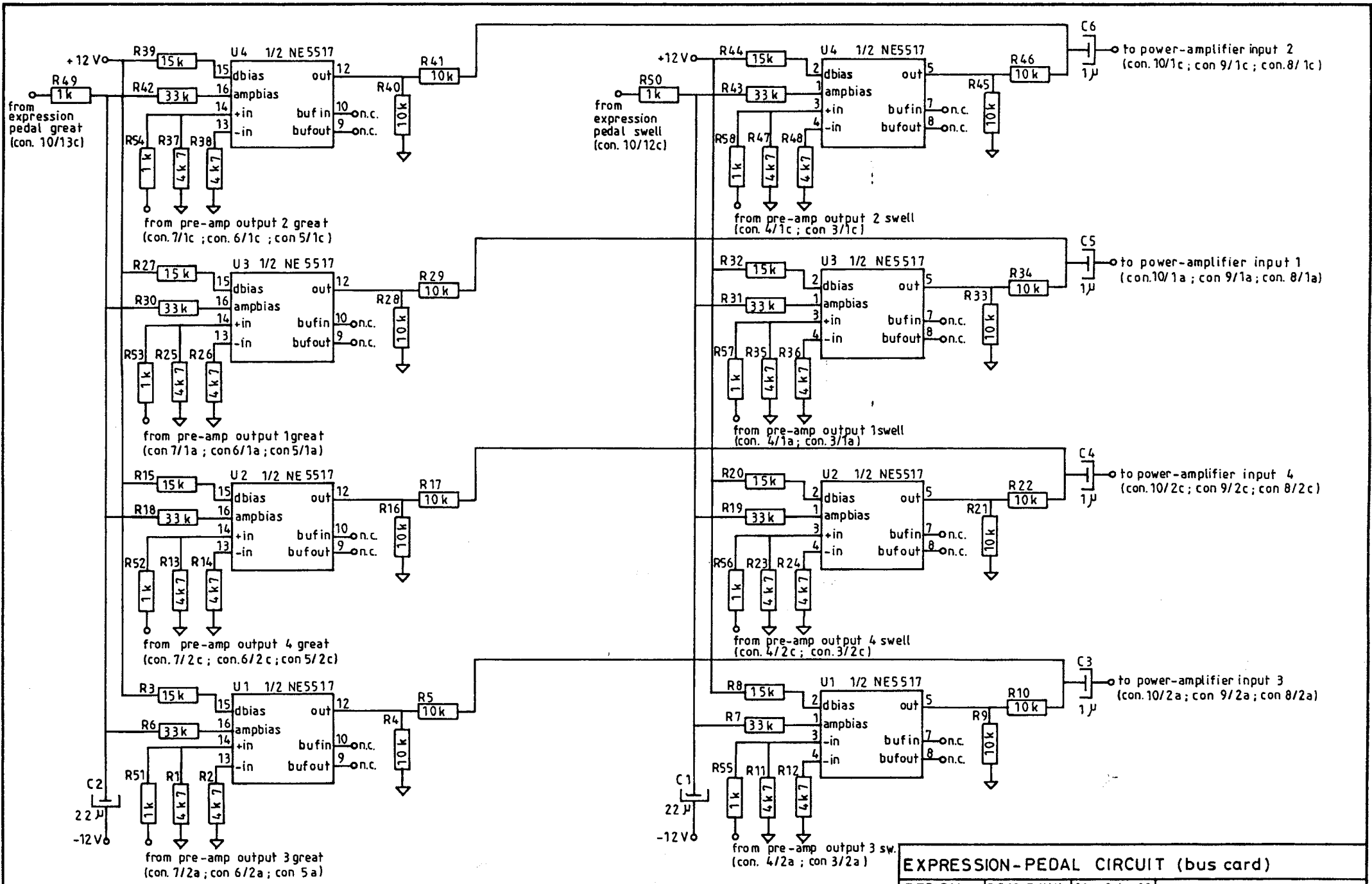
TRANSFORMER CONNECTIONS

DESIGN:	RB/SvD/MH	01-06-89	JOHANNUS
DRAWN:	VERSCHOOR	20-06-89	
MODIFIED:	-	-	
copyright: JOHANNUS Orgelbouw b.v. Morsestraat 28 6716AH EDE HOLLAND			page
Tel. 08380-37403 Tlx. 37044 Jove NL Fax. 08380-22238			15



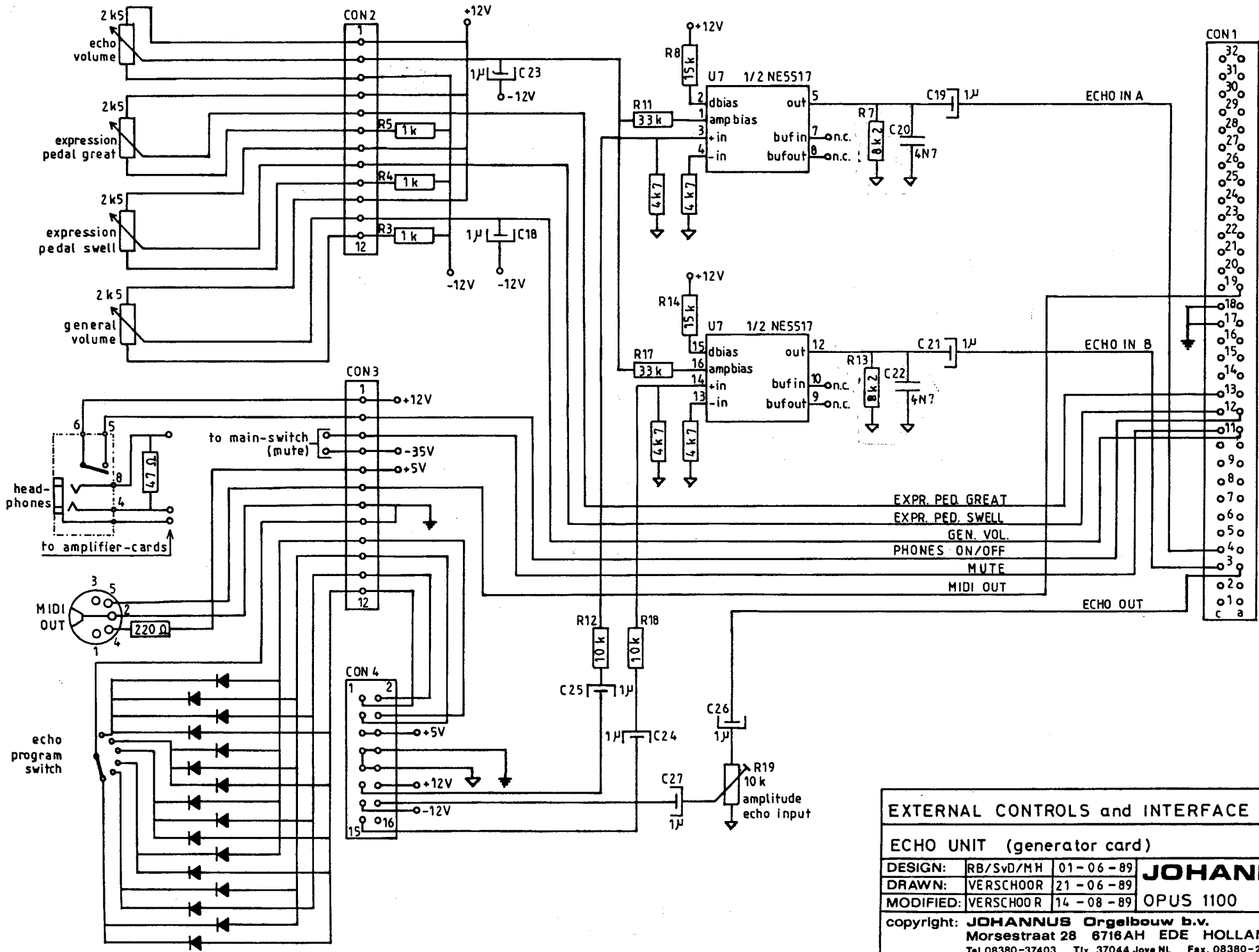
POWER SUPPLY (supply card)

DESIGN:	RB/SvD/MH	01 - 06 - 89	JOHANNUS
DRAWN:	VERSCHOOR	20 - 06 - 89	
MODIFIED:	VERSCHOOR	22 - 08 - 89	
copyright: JOHANNUS Orgelbouw b.v. Morsestraat 28 6716AH EDE HOLLAND			page
Tel. 08380-37403 Tlx. 37044 Jove NL Fax. 08380-22238			16

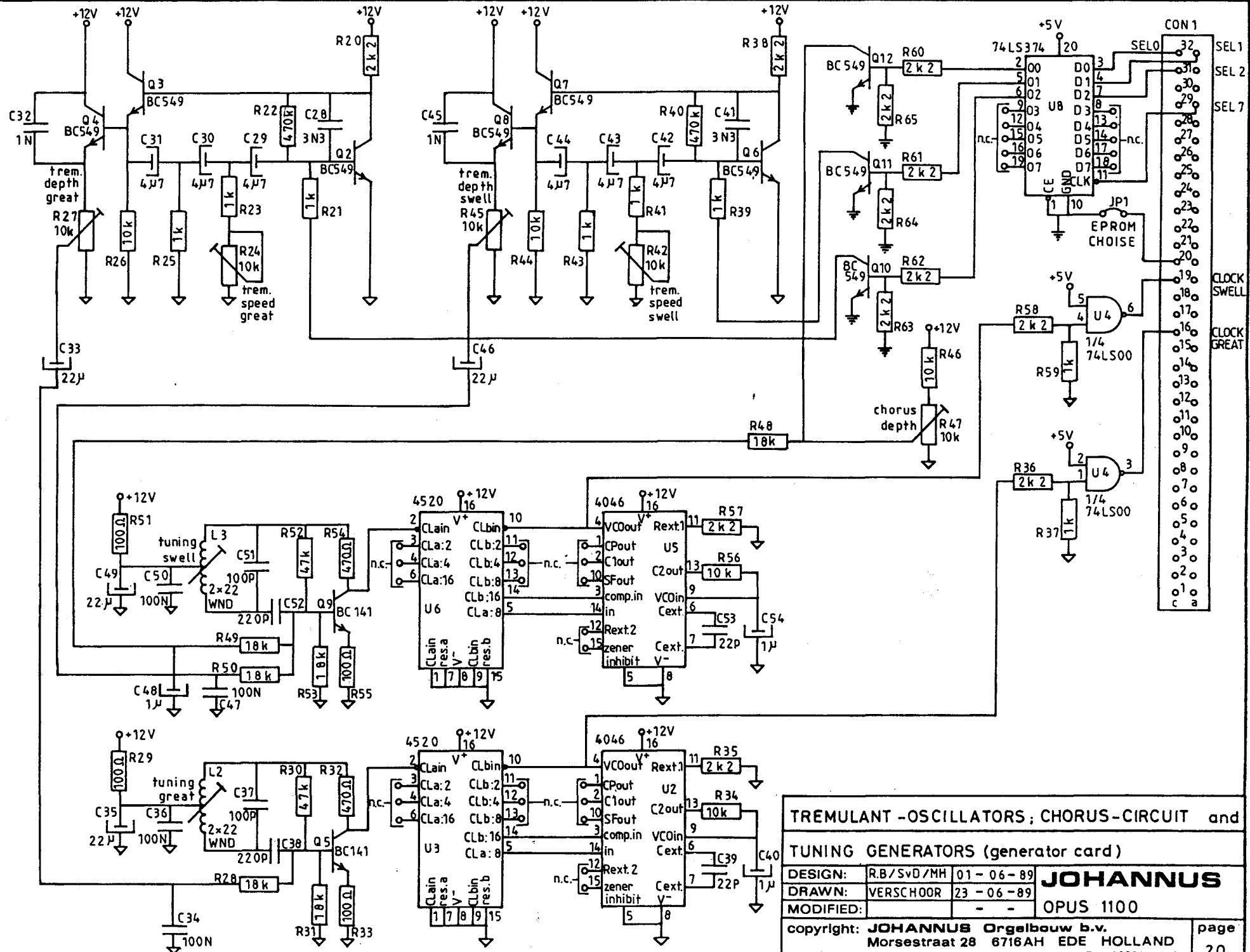


EXPRESSION-PEDAL CIRCUIT (bus card)

DESIGN:	R B/SVD/MH	01-06-89	JOHANNUS
DRAWN:	VERSCHOOR	23-06-89	
MODIFIED:	-	-	
copyright: JOHANNUS Orgelbouw b.v.			page
Morsestraat 28 6716AH EDE HOLLAND			18
Tel. 08380-37403 Tlx. 37044 Jove NL Fax. 08380-22238			



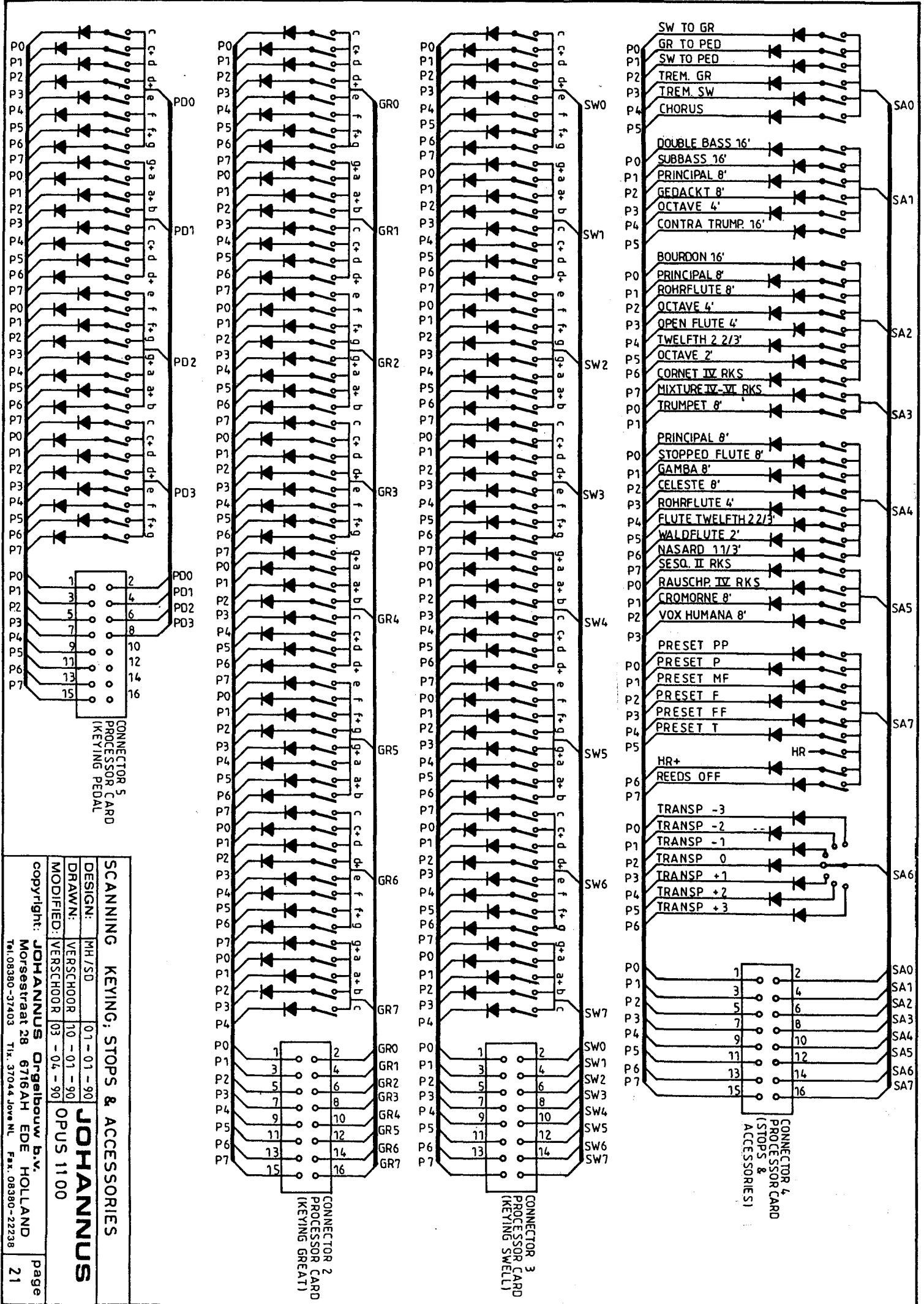
EXTERNAL CONTROLS and INTERFACE			
ECHO UNIT (generator card)			
DESIGN:	RB/SvD/MH	01-06-89	JOHANNUS
DRAWN:	VERSCHOOR	21-06-89	
MODIFIED:	VERSCHOOR	14-08-89	
copyright: JOHANNUS Orgelbouw b.v.		OPUS 1100	
Morsestraat 28 6716AH EDE HOLLAND			page
Tel. 08380-37403 Tlx. 37044 Jove NL Fax. 08380-22238			19



TREMULANT -OSCILLATORS ; CHORUS-CIRCUIT and

TUNING GENERATORS (generator card)

DESIGN:	R.B/SVD/MH	01 - 06 - 89	JOHANNUS
DRAWN:	VERSCHOOR	23 - 06 - 89	
MODIFIED:	-	-	
			OPUS 1100



CONNECTOR 5
PROCESSOR CARD
(KEYING PEDAL)

CONNECTOR 2
PROCESSOR CARD
(KEYING GREAT)

CONNECTOR 3
PROCESSOR CARD
(KEYING SWELL)

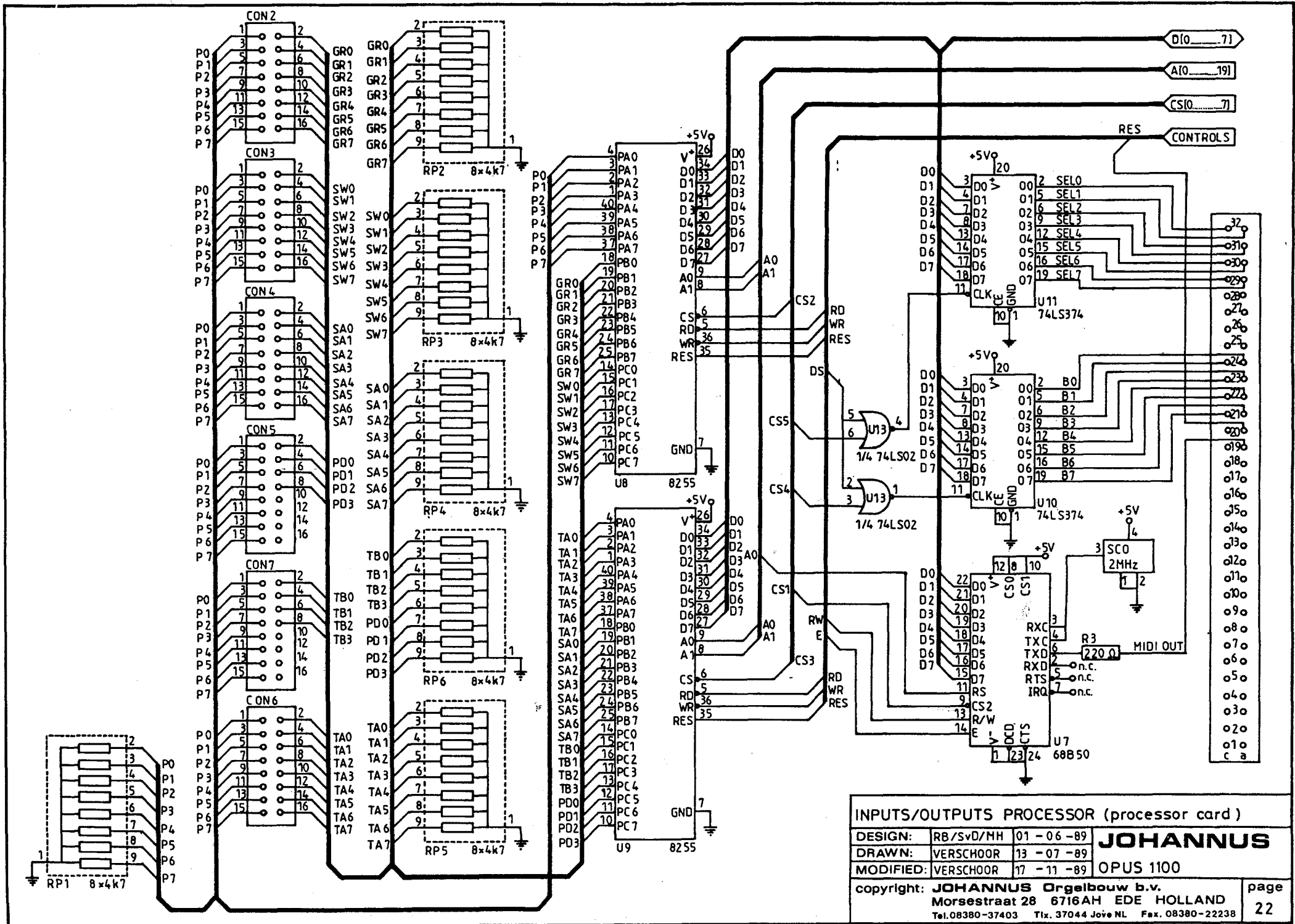
CONNECTOR 4
PROCESSOR CARD
(STOPS &
ACCESSORIES)

SCANNING KEYING; STOPS & ACCESSORIES

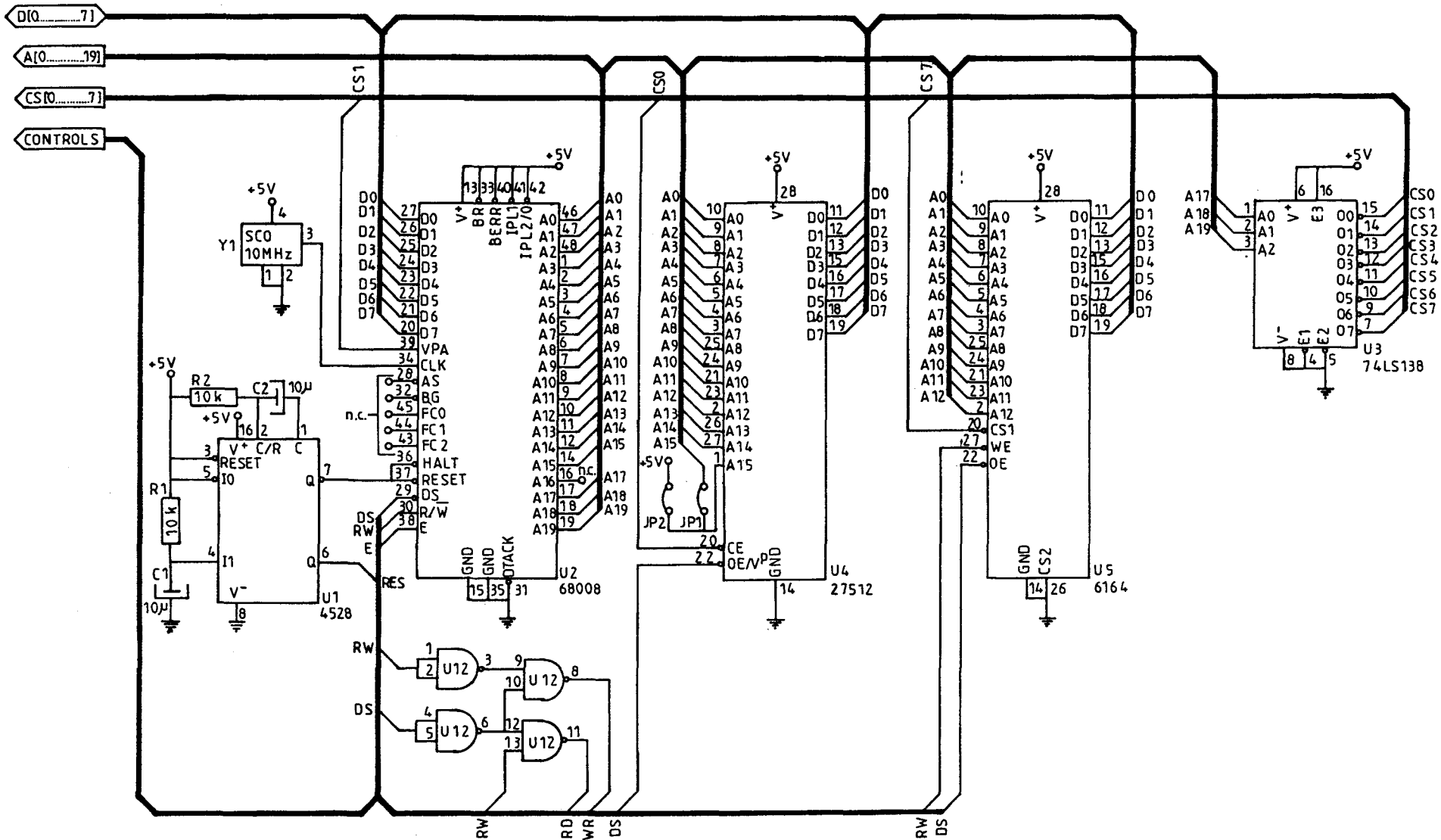
DESIGN: MH/SD 01-01-90
 DRAWN: VERSCHOOR 10-01-90
 MODIFIED: VERSCHOOR 03-02-90

JOHANNUS
OPUS 1100

copyright: JOHANNUS Orgelbouw b.v.
 Morsestraat 28 6716AH EDE HOLLAND
 Tel. 08380-37403 Tlx. 37044 Jovoh NL Fax. 08380-22238



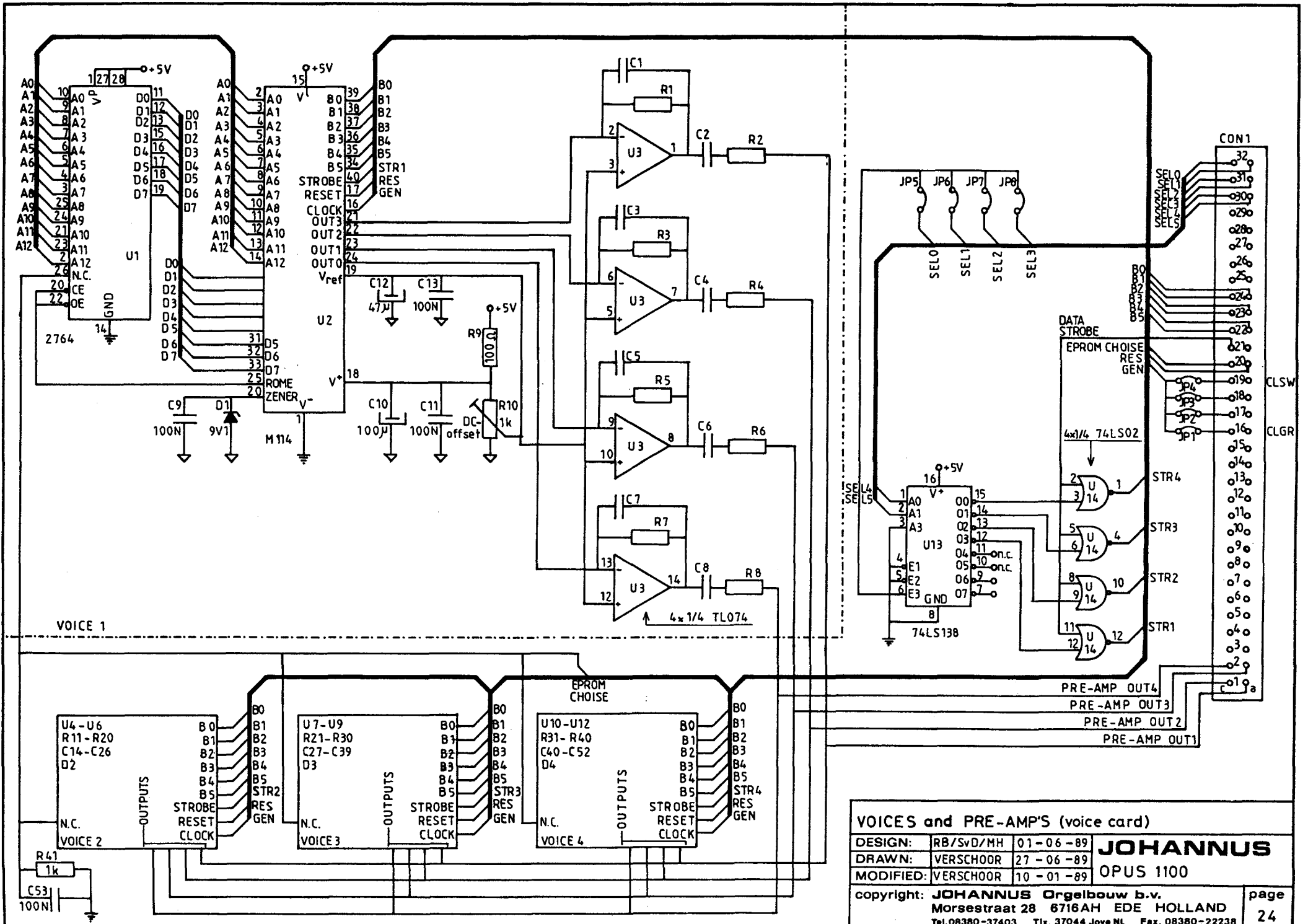
INPUTS/OUTPUTS PROCESSOR (processor card)		
DESIGN:	RB/SvD/MH 01-06-89	JOHANNUS
DRAWN:	VERSCHOOR 13-07-89	
MODIFIED:	VERSCHOOR 17-11-89	OPUS 1100
copyright: JOHANNUS Orgelbouw b.v.		page
Morsestraat 28 6716AH EDE HOLLAND		22
Tel. 08380-37403 Tlx. 37044 Jove NL Fax. 08380-22238		



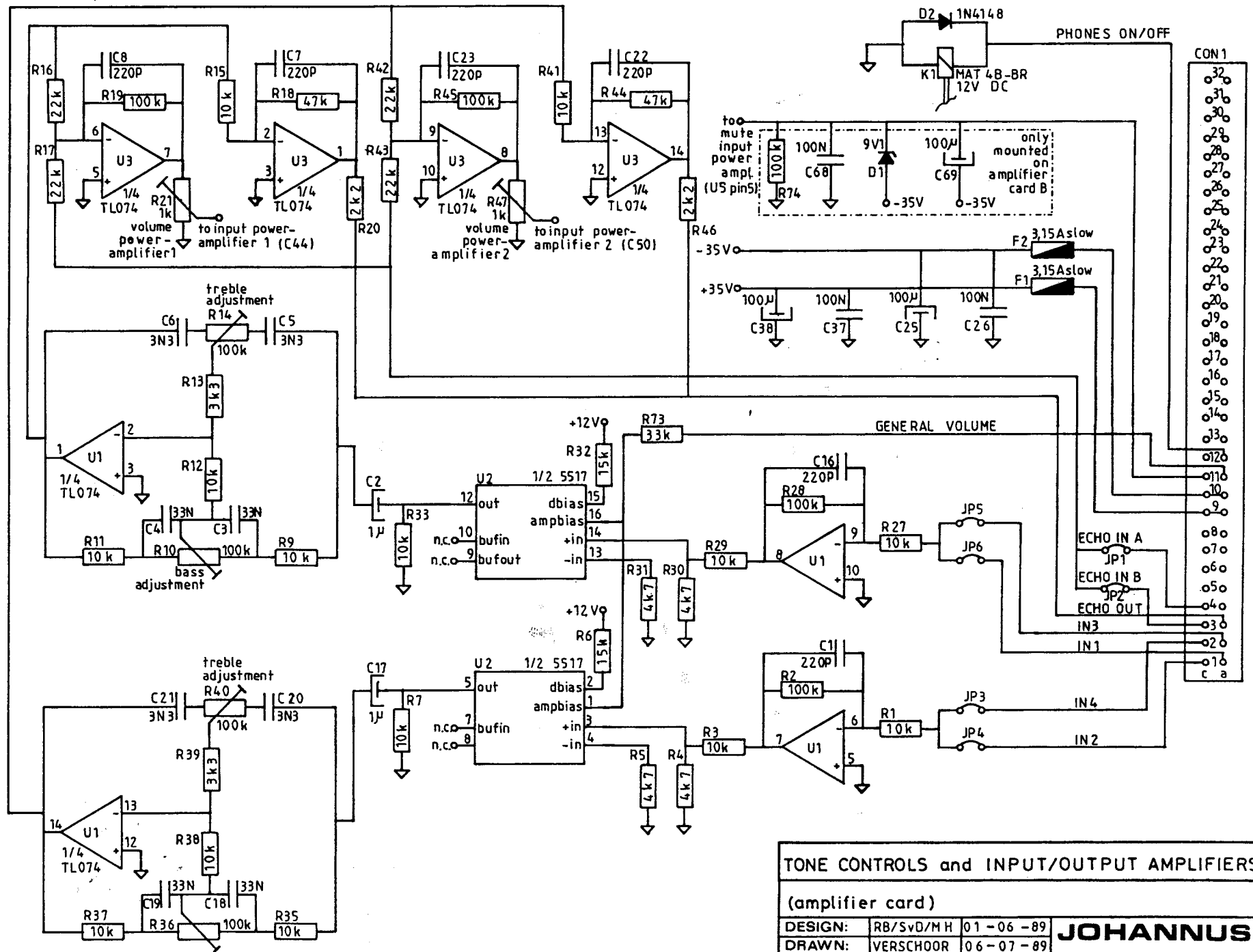
↑
4 × 1/4 74LS00

PROCESSOR (processor card)

DESIGN:	RB/SvD/MH	01-06-89	JOHANNUS
DRAWN:	VERSCHOOR	14-07-89	
MODIFIED:	VERSCHOOR	03-04-90	OPUS 1100
copyright:	JOHANNUS Orgelbouw b.v. Morsestraat 28 6716AH EDE HOLLAND		page
	Tel. 08380-37403 Tlx. 37044 Jove NL Fax. 08380-22238		23



VOICES and PRE-AMP'S (voice card)		
DESIGN:	RB/SvD/MH 01-06-89	JOHANNUS OPUS 1100
DRAWN:	VERSCHOOR 27-06-89	
MODIFIED:	VERSCHOOR 10-01-89	
copyright: JOHANNUS Orgelbouw b.v.		
Morsestraat 28 6716AH EDE HOLLAND		
Tel. 08380-37403 Tlx. 37044 Jove NL Fax. 08380-22238		



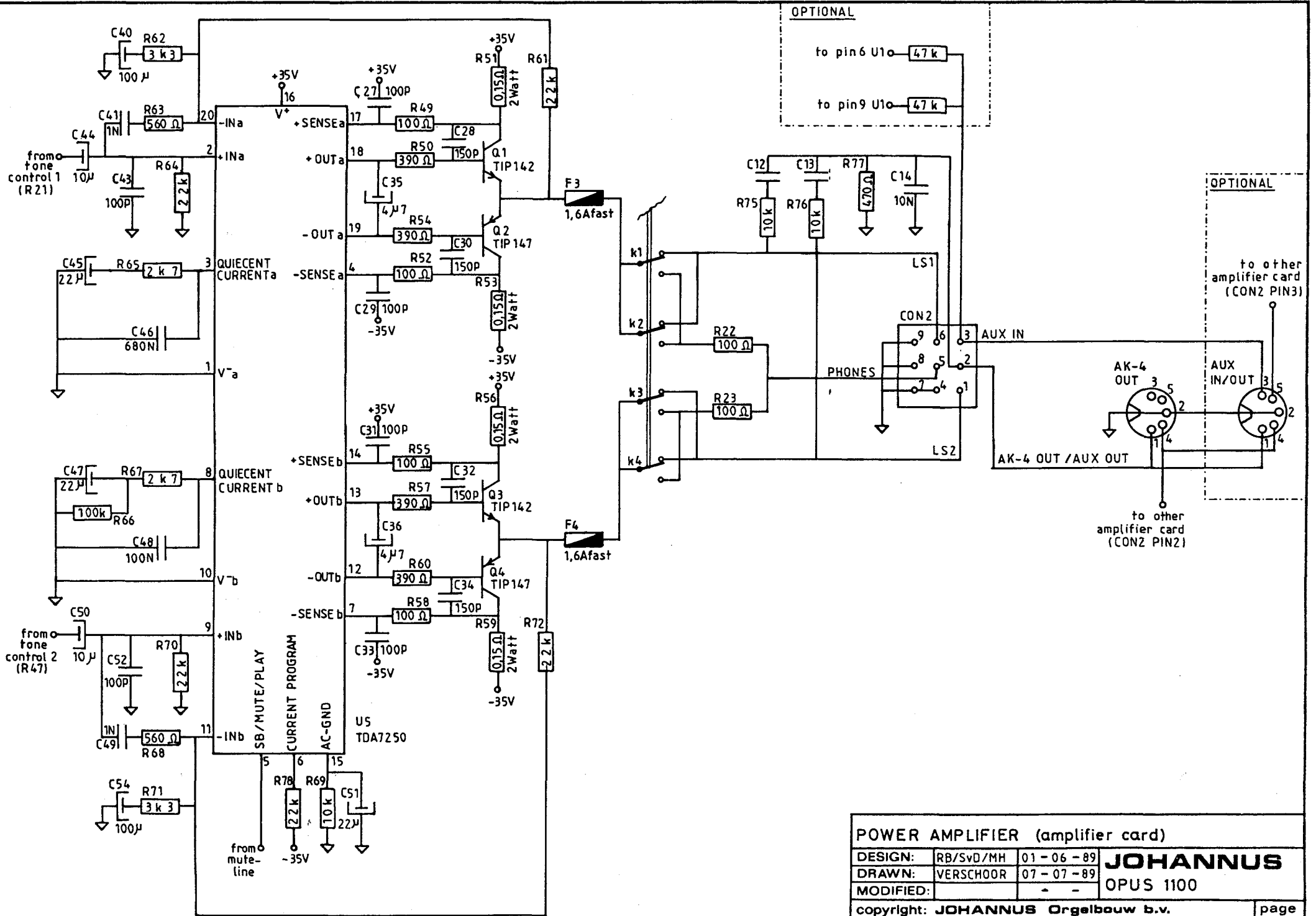
TONE CONTROLS and INPUT/OUTPUT AMPLIFIERS

(amplifier card)

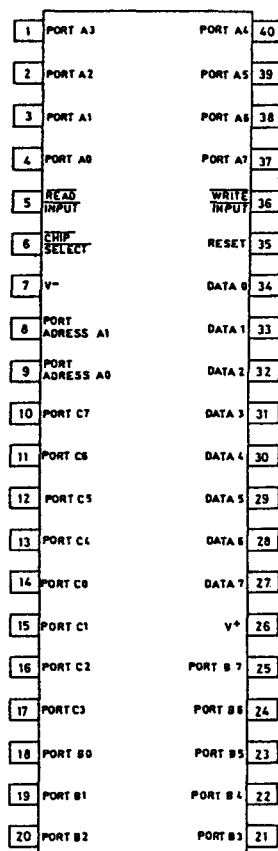
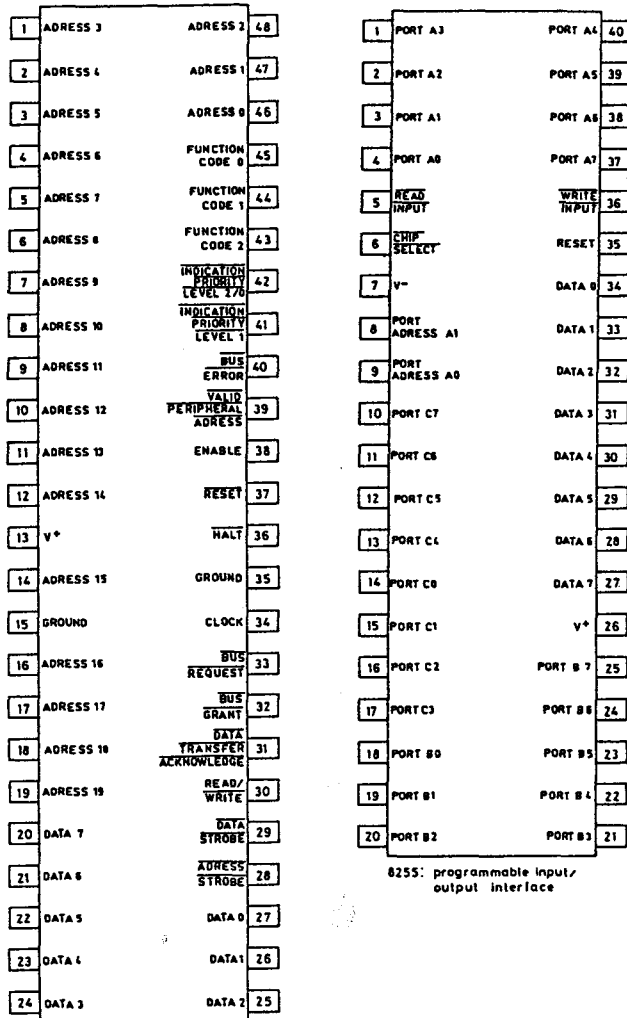
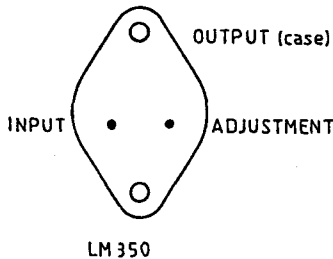
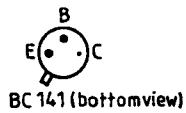
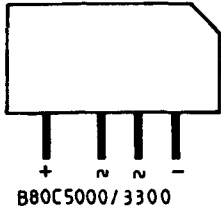
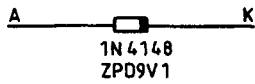
DESIGN:	RB/SvD/MH	01-06-89
DRAWN:	VERSCHOOR	06-07-89
MODIFIED:		- -

JOHANNUS
OPUS 1100

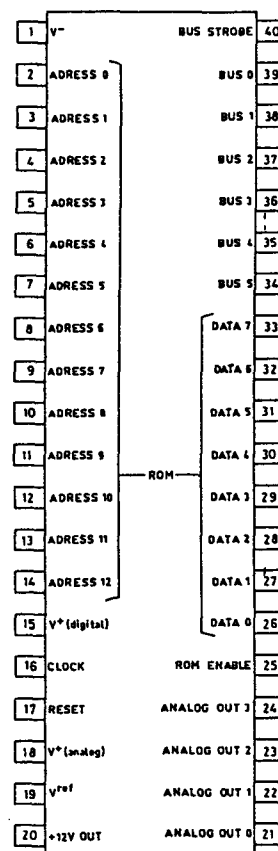
copyright: **JOHANNUS** Orgelbouw b.v.
Morsestraat 28 6716AH EDE HOLLAND
Tel. 08380-37403 Tlx. 37044 Jove NL Fax. 08380-22238



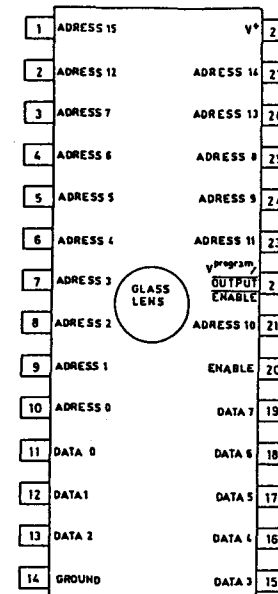
POWER AMPLIFIER (amplifier card)			
DESIGN:	RB/SvD/MH	01-06-89	JOHANNUS OPUS 1100
DRAWN:	VERSCHOOR	07-07-89	
MODIFIED:		- -	
copyright: JOHANNUS Orgelbouw b.v. Morsestraat 28 6716AH EDE HOLLAND Tel. 08380-37403 Tlx. 37044 Jove NL Fax. 08380-22238			page 26



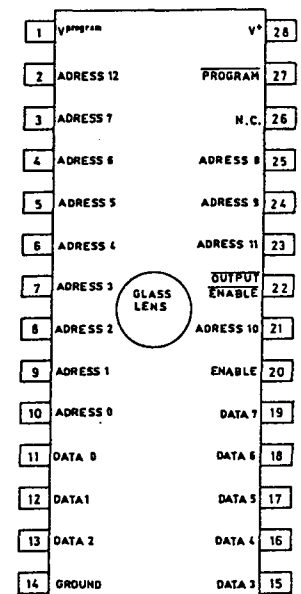
8255: programmable input/output interface



M 1145 digital sound generator



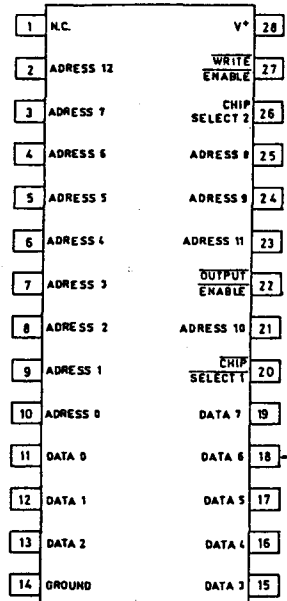
27512: 512k ultraviolet erasable programmable read only memory



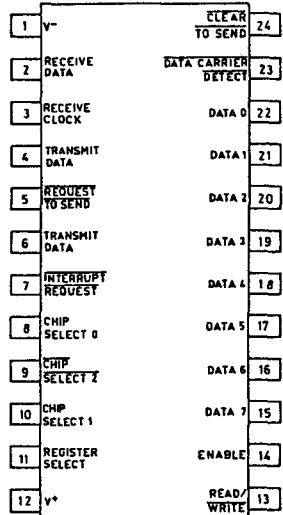
2764: 64k ultraviolet erasable programmable read only memory

GENERAL INFORMATION SEMI-CONDUCTORS (1)

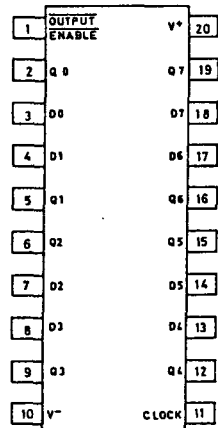
DESIGN:		- -	JOHANNUS
DRAWN:	VERSCHOOR	17 - 07 - 89	
MODIFIED:	VERSCHOOR	03 - 04 - 90	OPUS 1100
copyright:	JOHANNUS Orgelbouw b.v. Morsestraat 28 6716AH EDE HOLLAND		page
	Tel. 08380-37403 Tlx. 37044 Jove NL Fax. 08380-22238		27



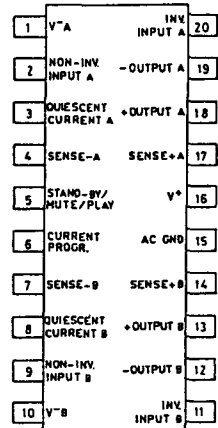
6164: 64k random access memory



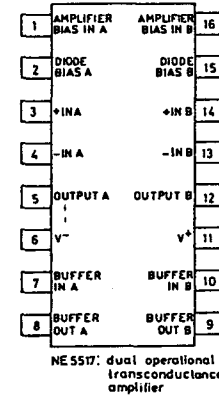
6850: asynchronous communication interface adapter



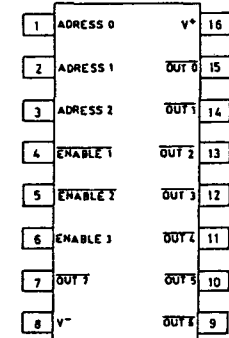
74374: octal D-flip-flop with 3-state outputs



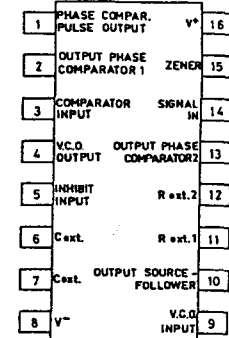
TOA7250: 60W hi-fi dual audio driver



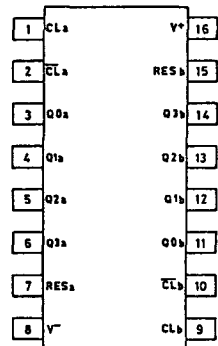
NE5517: dual operational transconductance amplifier



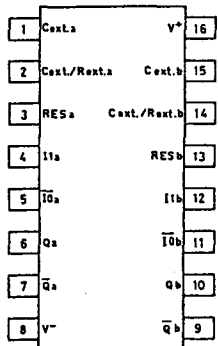
74138: 1-of-8 decoder/demultiplexer



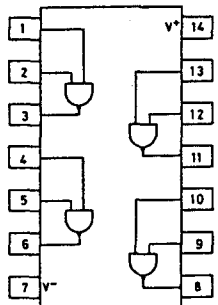
4046 phase locked loop circuit



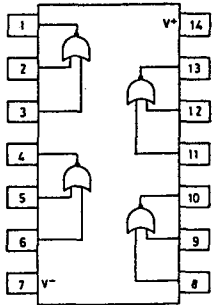
4520 dual binary counter



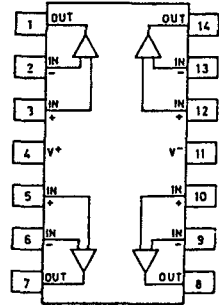
4528: dual monostable multivibrator



7400: quad NAND



7402: quad NOR



TL074: quad opamp

GENERAL INFORMATION SEMI CONDUCTORS (II)

DESIGN:		- -	JOHANNUS
DRAWN:	VERSCHOOR	17-07-89	
MODIFIED:		- -	

copyright: JOHANNUS Orgelbouw b.v.
Morsestraat 28 6716AH EDE HOLLAND
Tel.08380-37403 Tlx. 37044 Jove NL Fax. 08380-22238